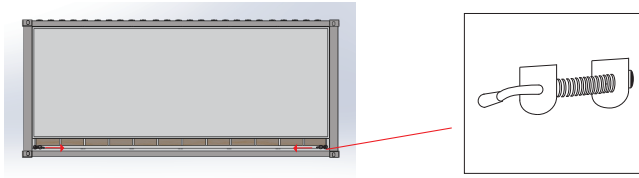
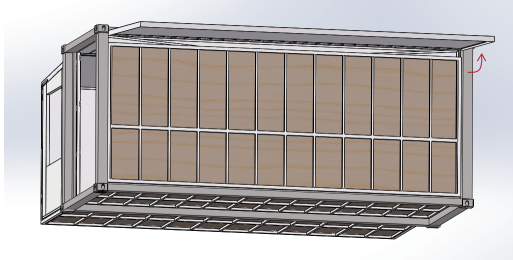


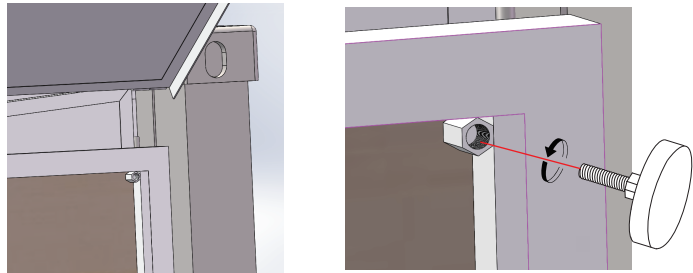
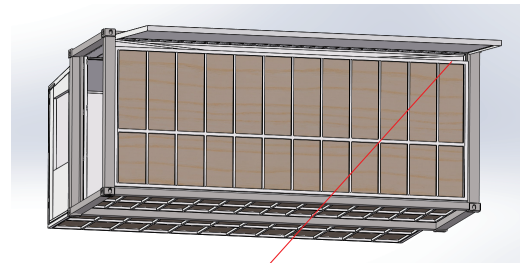
1 . Pull out the roof bolt.



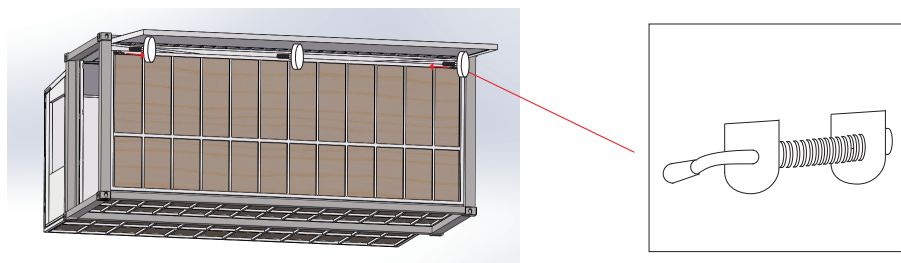
2 . Open up the roof.



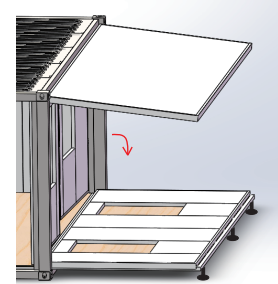
3 . Assemble the leg support.



4 . Pull out the floor bolt.

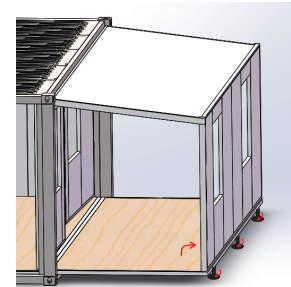


5 . Put down the floor.



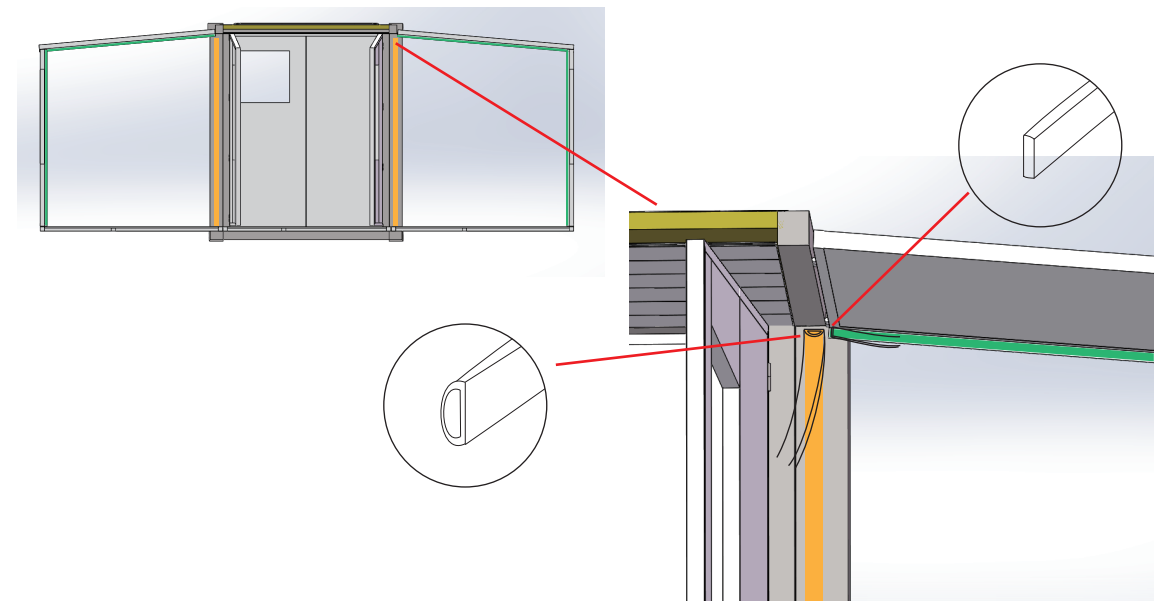
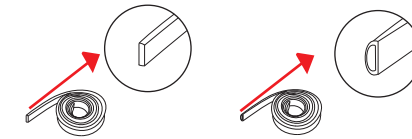
The floor is heavy,there must be at least 5 man to put down it!

6 . Lift up Wall-B.

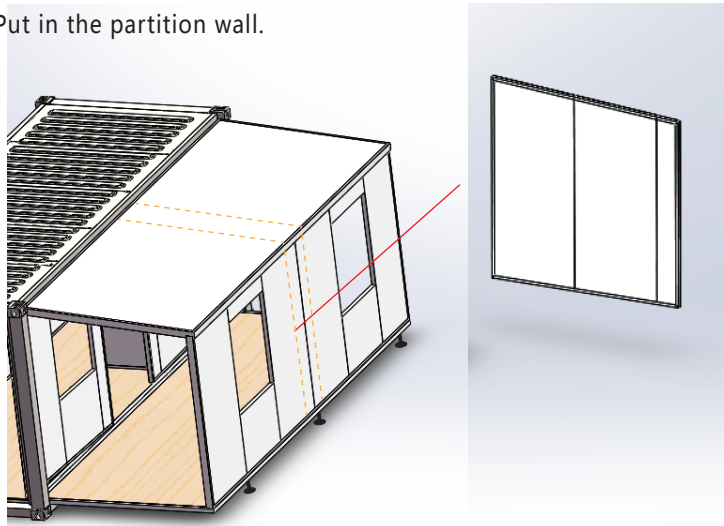


Adjust the legs to level the floor,it will affect the opening of Wall-A and C!

7 . Stick the flat tape and D tape.



8 . Put in the partition wall.

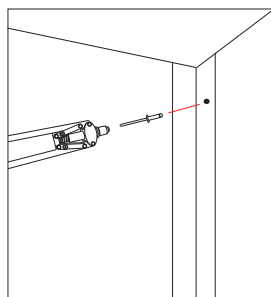
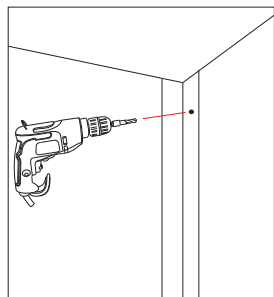
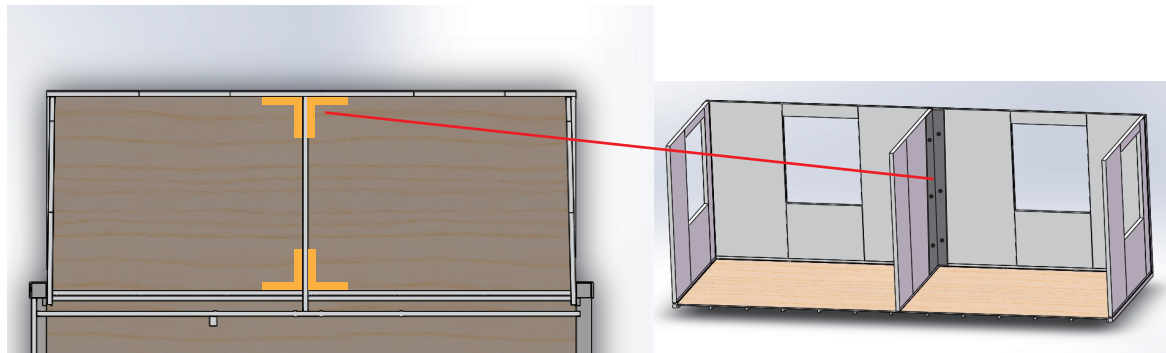


9 . Fixed the partition wall.

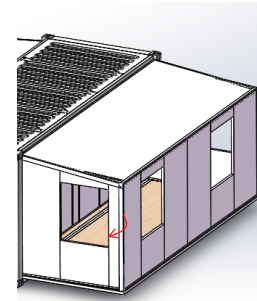


Use 4 L-shape corner covering to fix the partition wall;

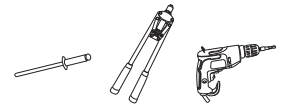
Use at least 3 rivets on each side of the L-shape corner covering to fix the corner covering!



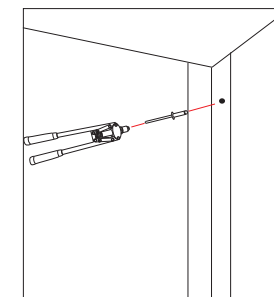
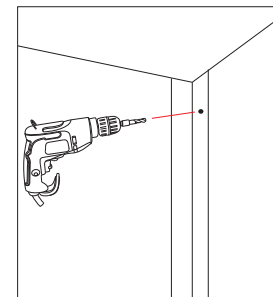
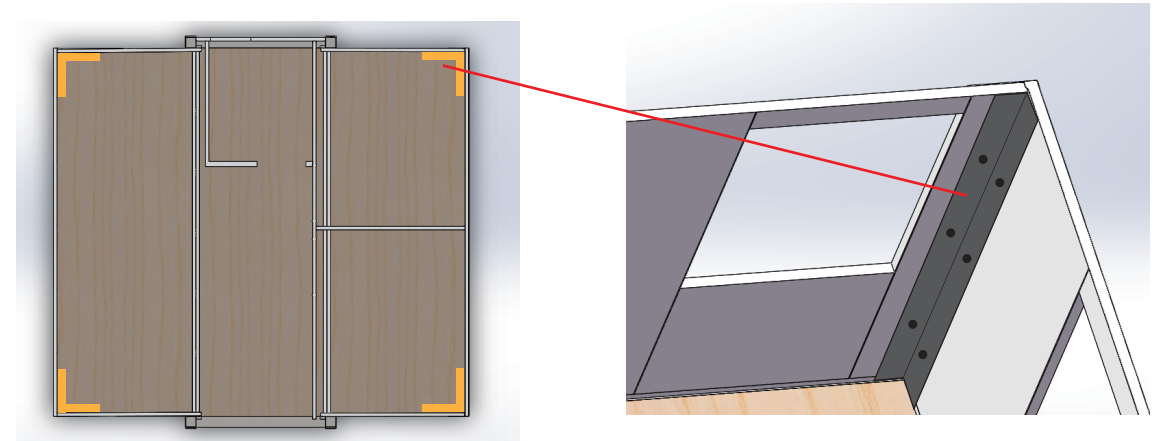
10 . Open the Wall-A , Wall-C.



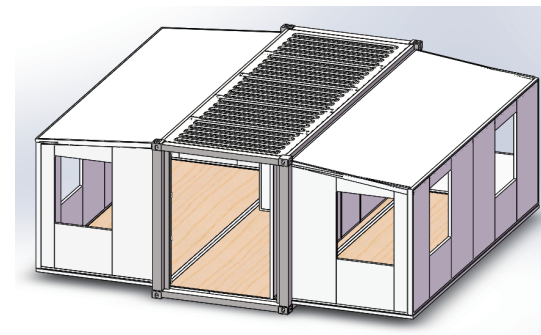
11 .Use L-shape corner covering to fix Wall-A & Wall-C / Wall -1 & Wall-3.



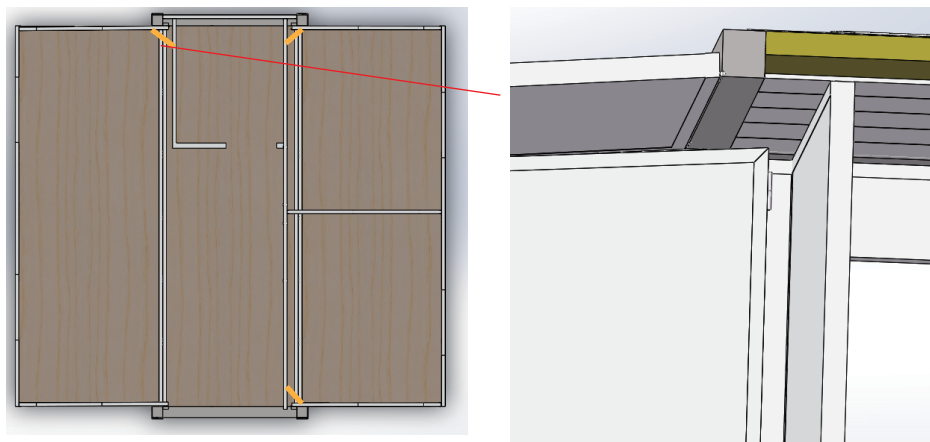
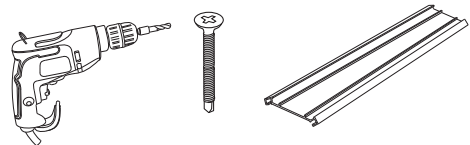
Use at least 3 rivets on each side of the L-shape corner covering to fix the corner covering!



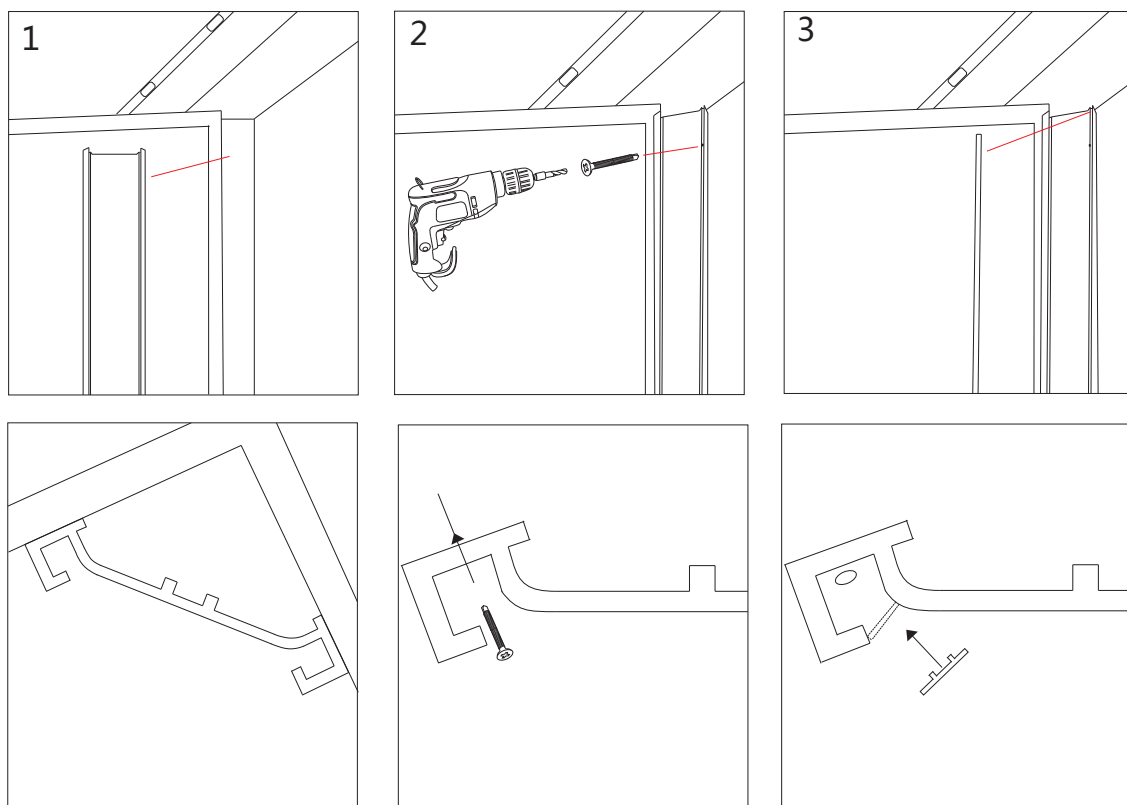
12 . Open and assemble the other side by the same way.



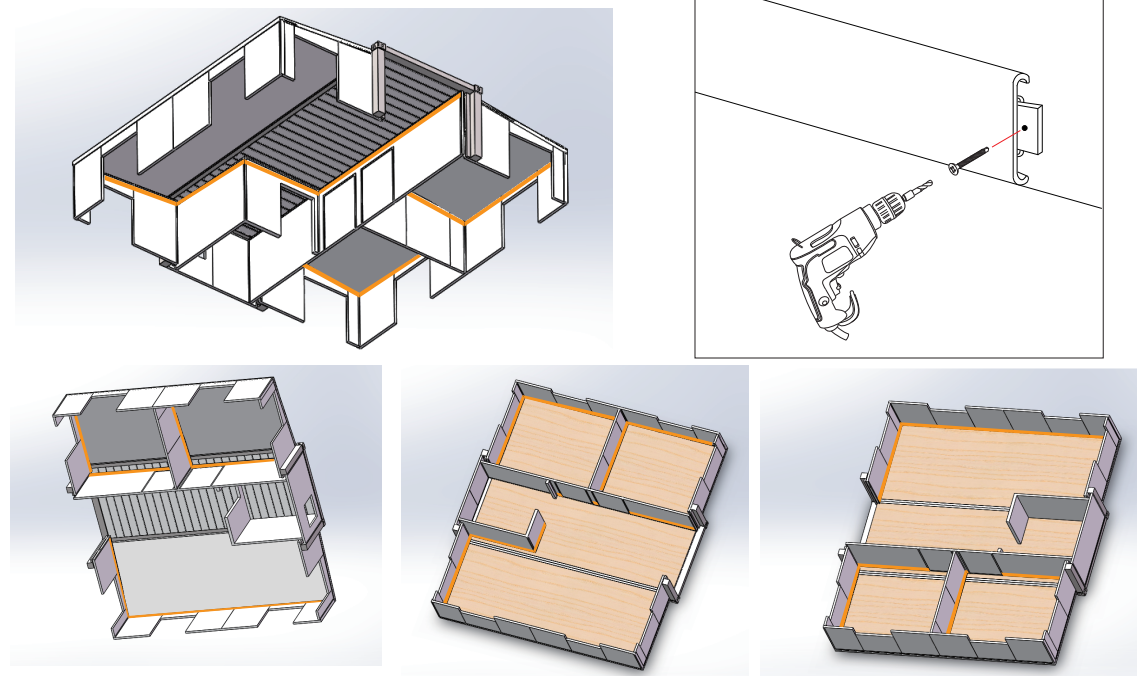
13 . Assemble the PVC corner covering.



Measure the height and cut the corner covering into proper size!

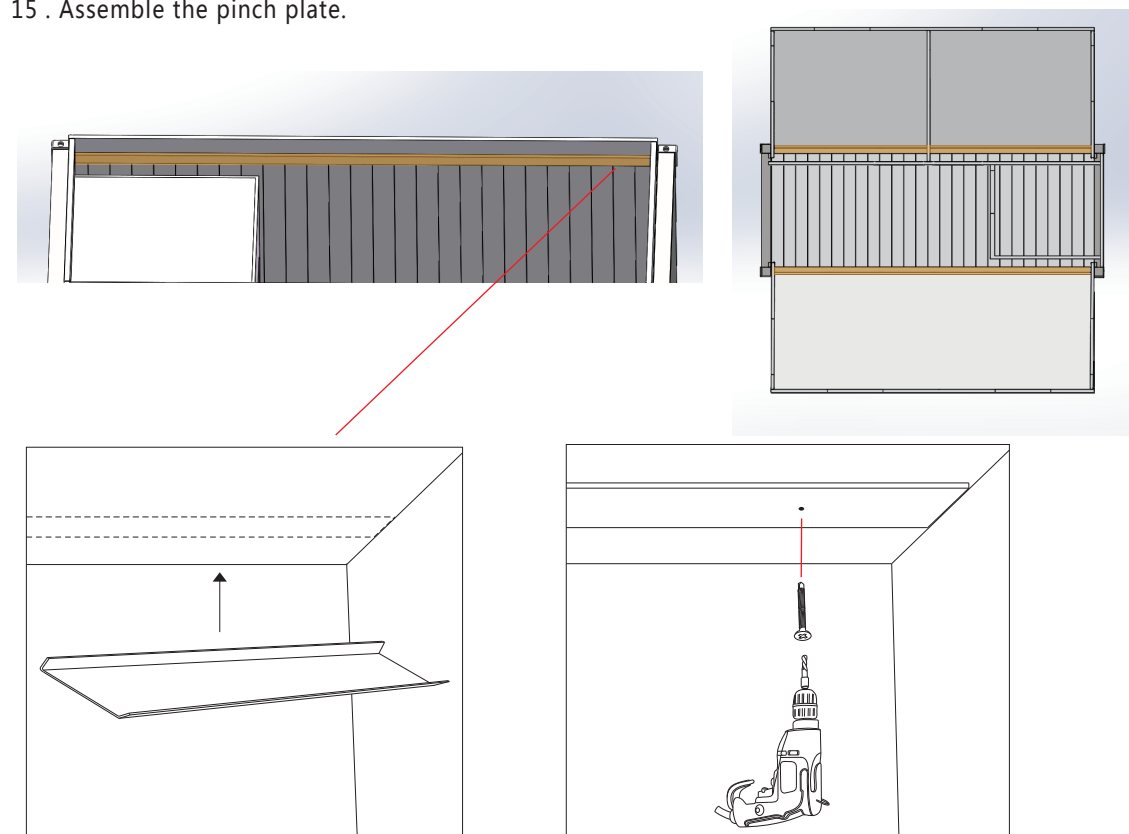


14 . Assemble the skirting line.

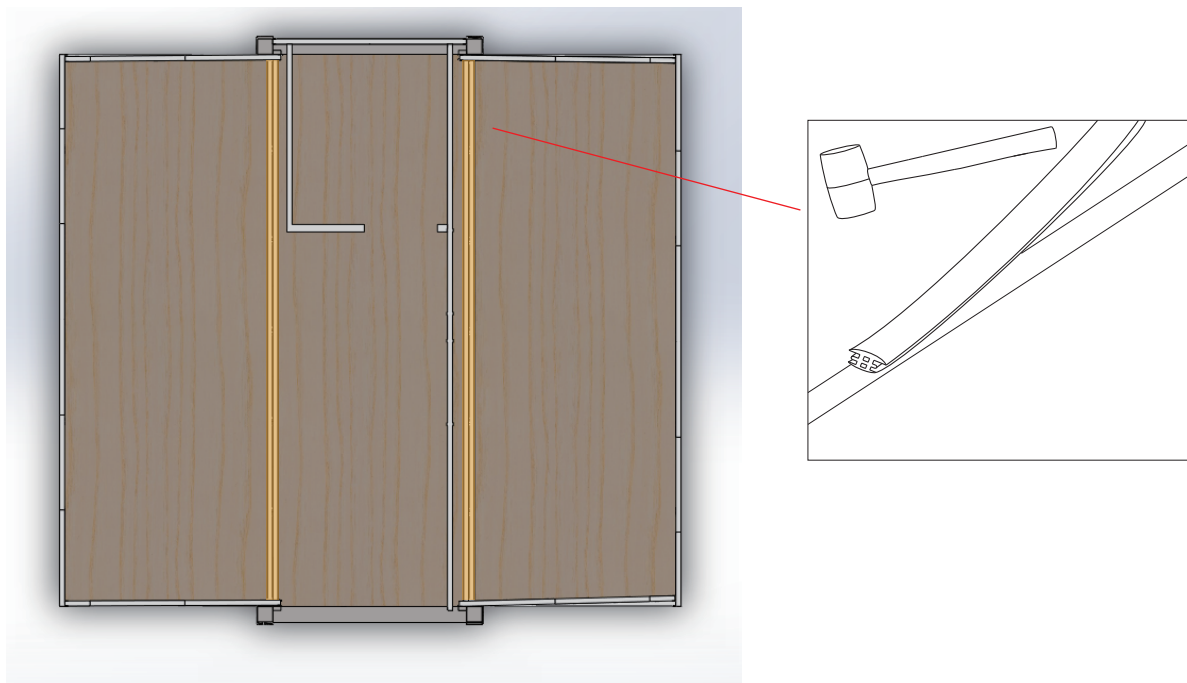


NOTICE : For the corner fixed buckle, the narrow side adjoins the wall!

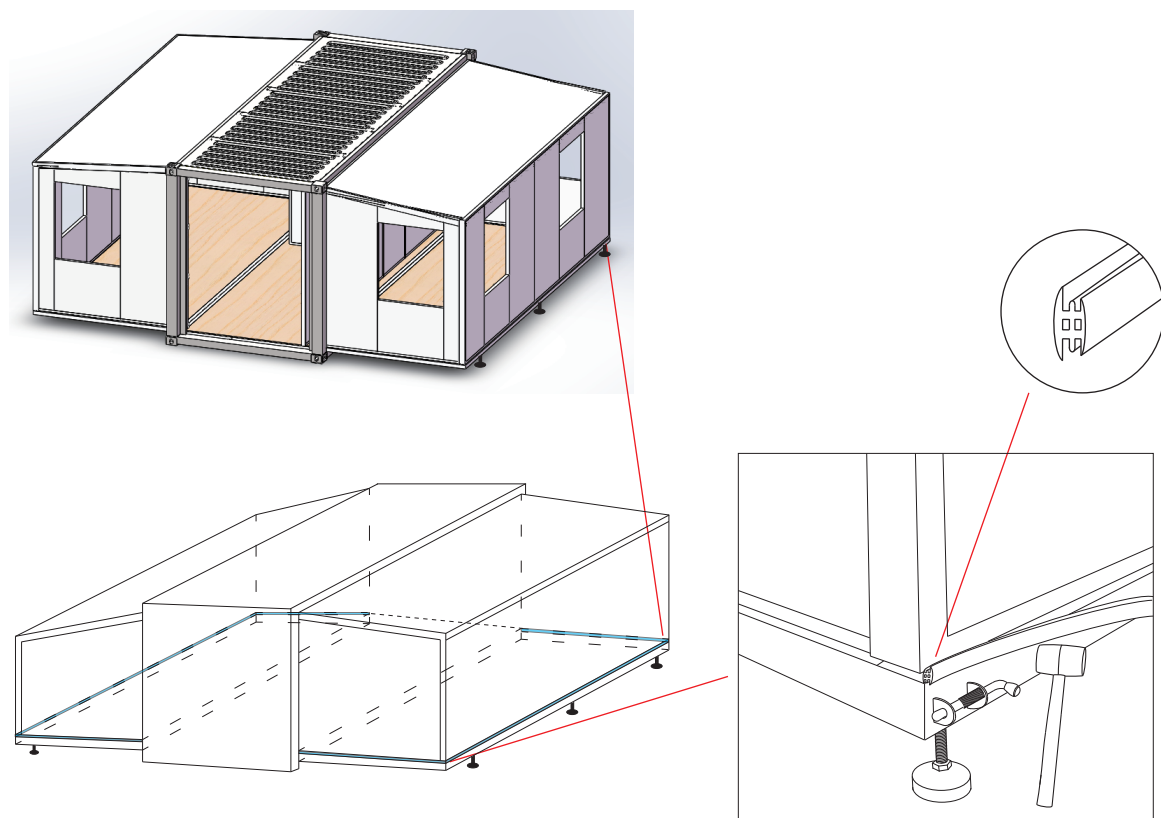
15 . Assemble the pinch plate.



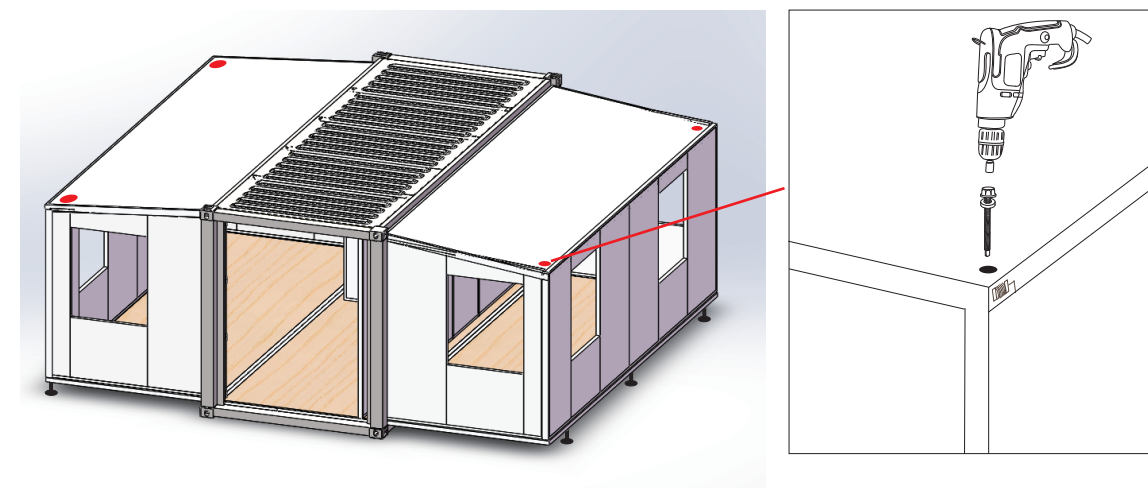
16 . Assemble the T tape inside the container house.



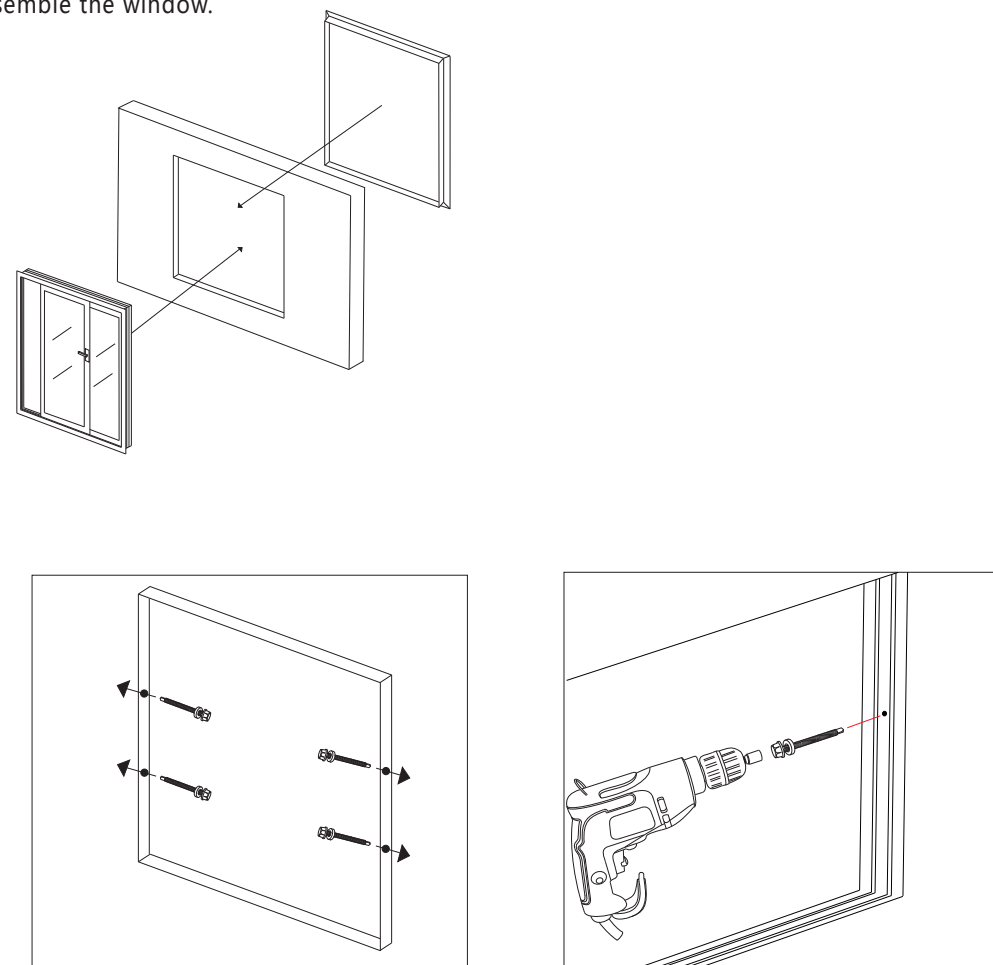
17 . Assemble the T tape outside the container house.



18 . Fixed container house roof corner.



19 . Assemble the window.



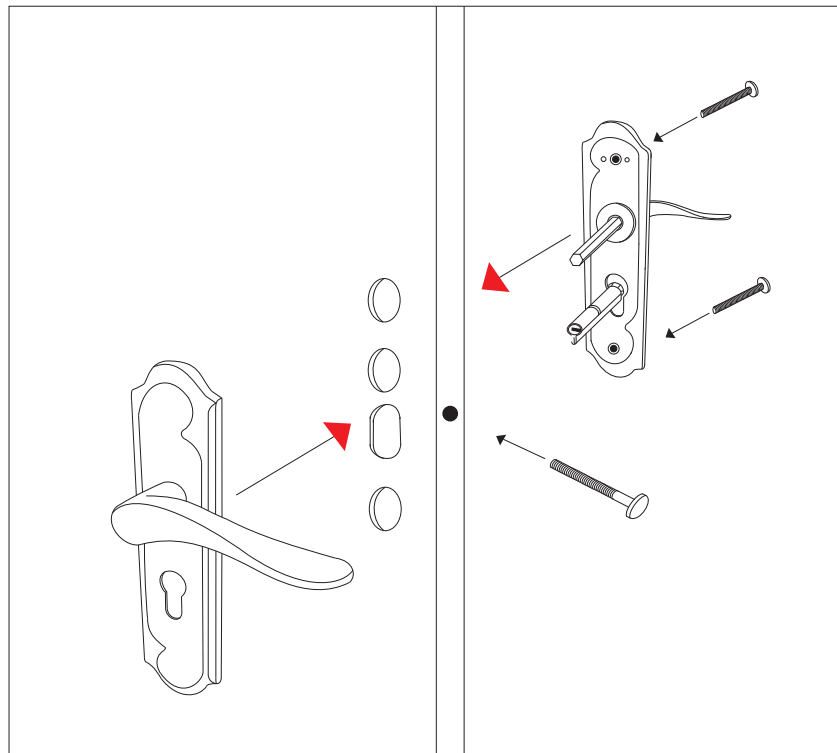


20 . Assemble the light.

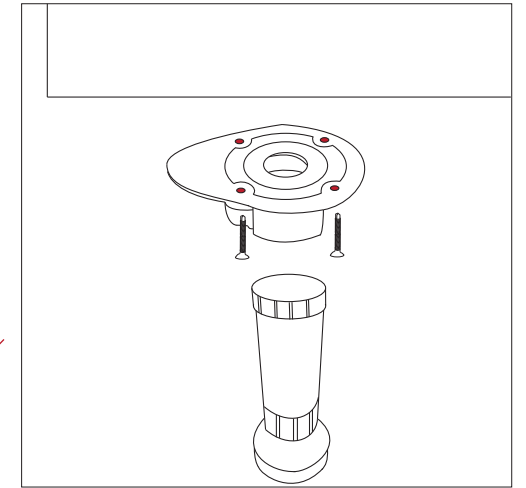
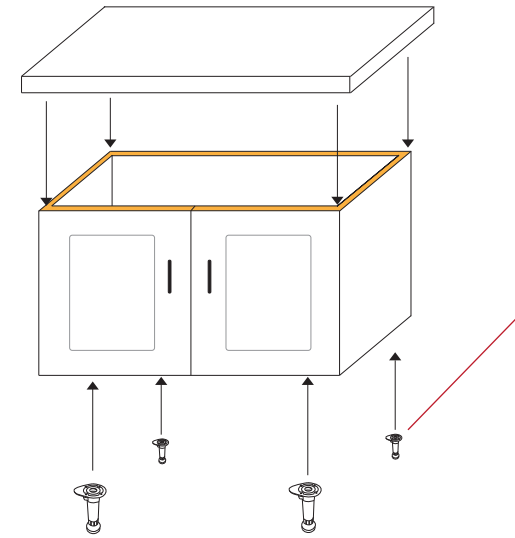


1. Use 3 Ear Tapping Screws to fix the lampholder with the roof.
2. Connect the roof wire with the lamp wire. Hold with insulating tape.
3. Fitted with lamp covering.

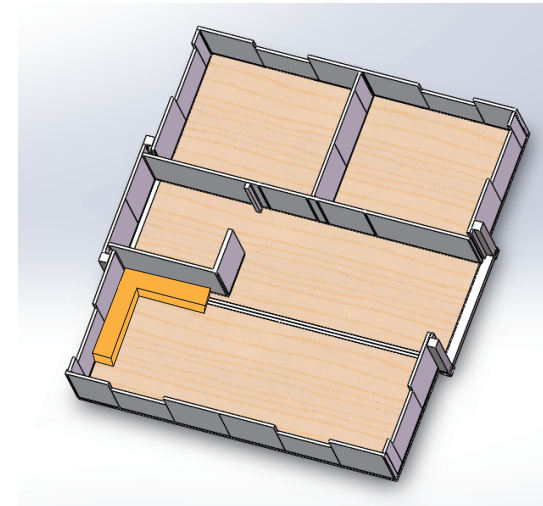
21 . Assemble the lock.



22 . Assemble the cupboard.



Fix the 4 bases to the bottom of the cabinet by nails, and then put the four legs into the bottom seat. Make the cabinet level by adjusting the legs.



Apply the sealant on the yellow area to fix the marble countertop and breakwater. Sealant should wait for 24 hours to dry and fixed

